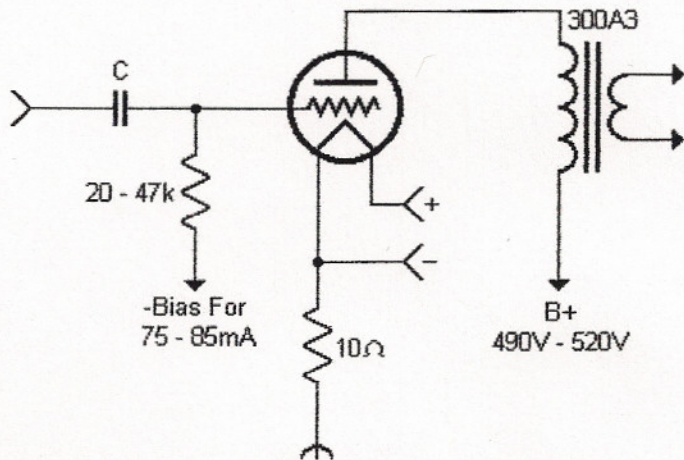
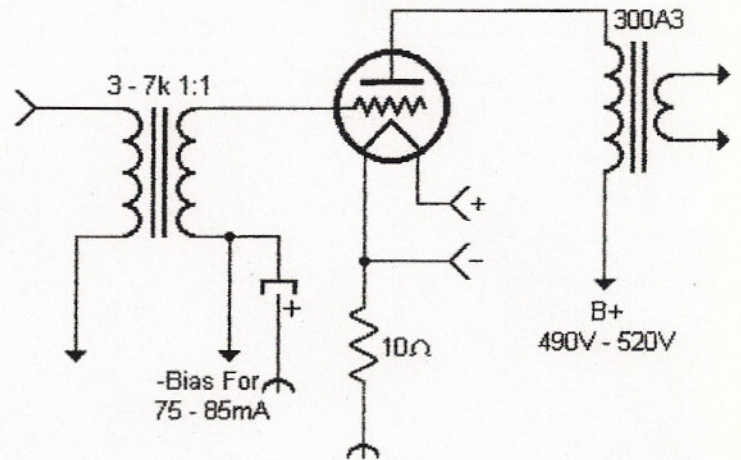


**300A3 Output Transformer Circuits With 300B Tube in Class A3**

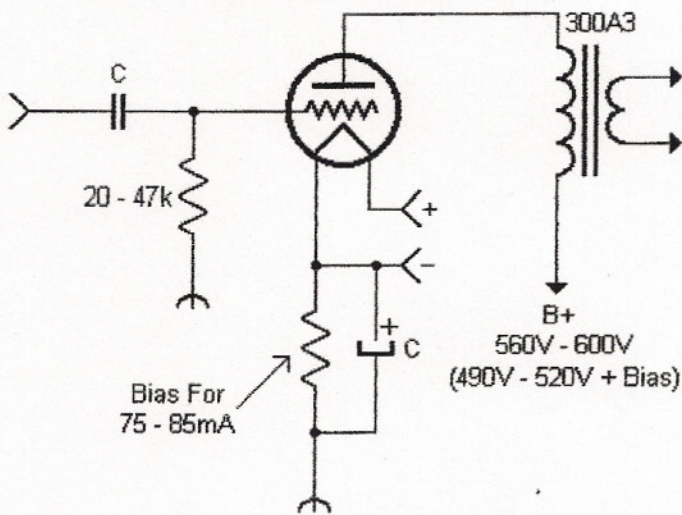
**Fixed Bias, Cap Coupled**



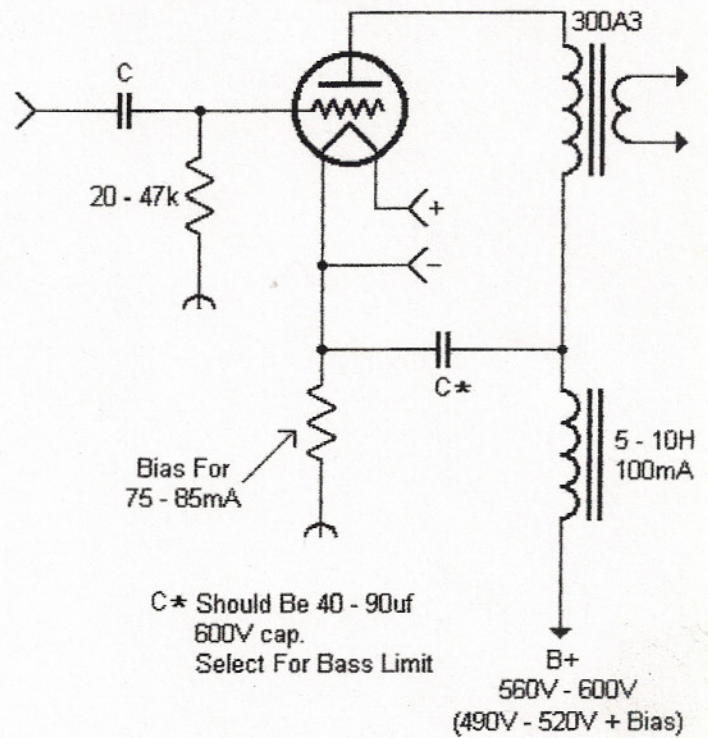
**Fixed Bias, Interstage Transformer Coupled**



**Self Biased, Cap Coupled**



**Self Biased, UltraPath Loop**



C\* Should Be 40 - 90uf  
600V cap.  
Select For Bass Limit

All designs are the sole property of  
Electra-Print Audio Company with all  
rights reserved world-wide. Licensing is  
available for commercial use.

Copyright 2012