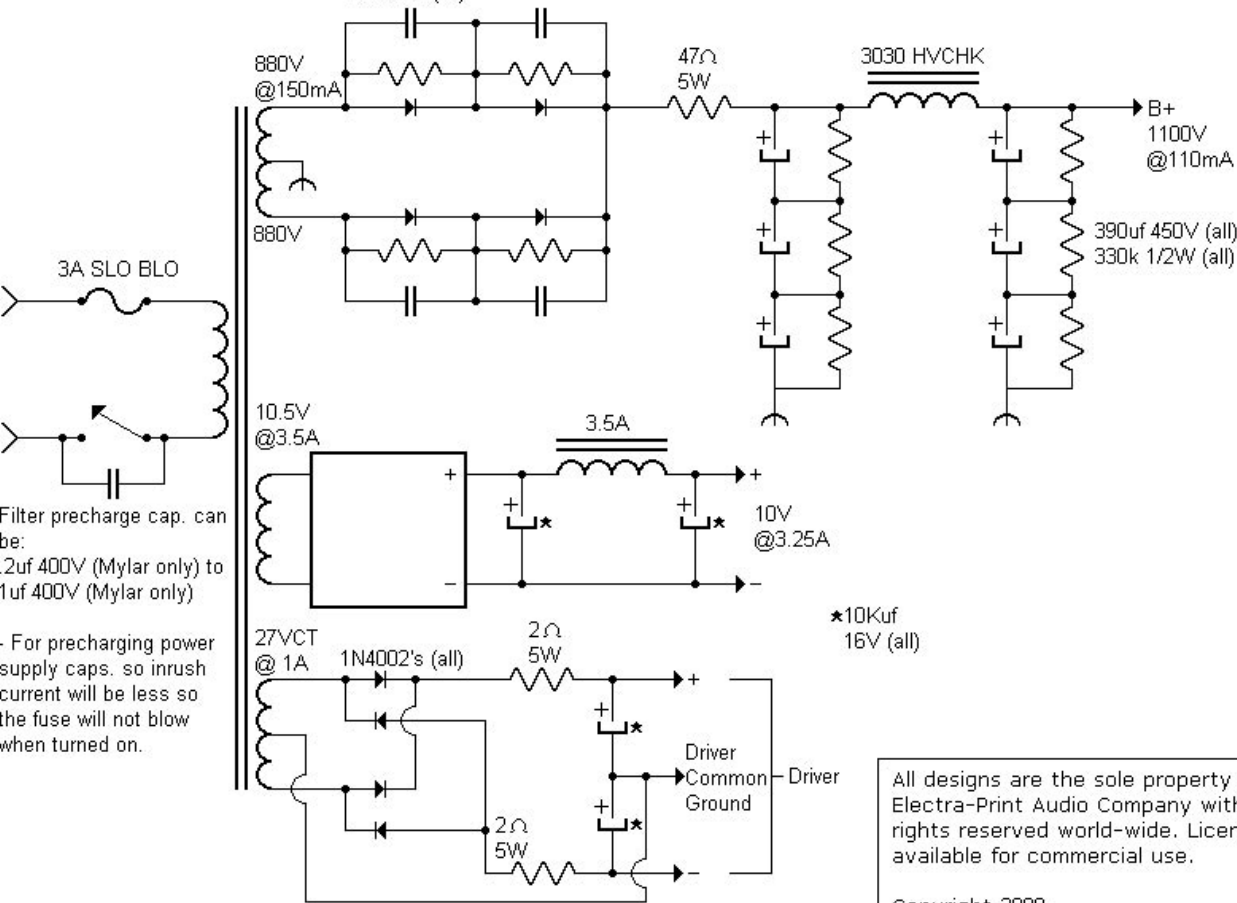


# 211 PWR

.01uf 1kV (all)  
 470k 1/2W (all)  
 1N4007's (all)



Filter precharge cap. can be:  
 .2uf 400V (Mylar only) to  
 1uf 400V (Mylar only)

- For precharging power supply caps. so inrush current will be less so the fuse will not blow when turned on.

All designs are the sole property of  
 Electra-Print Audio Company with all  
 rights reserved world-wide. Licensing is  
 available for commercial use.  
 Copyright 2009